



Temperature Transducer  
43388-3002xx

### DESCRIPTION

The **Tetragenics Temperature Transducer** provides an easy, cost-effective way to monitor ambient temperature. In both single and dual versions, the Transducer senses ambient temperature and continuously outputs a voltage relative to that temperature. The output signal has a 20 Vdc swing over the operating temperature range. A 1 degree F change in temperature changes output voltage by 111 mV, making the signal less sensitive to noise.

Because of its rugged construction, the Tetragenics Temperature Transducer can be used in an indoor or an outdoor environment. With its accurate temperature range, small size, low noise level, and low cost, the Temperature Transducer allows you to monitor ambient temperatures in remote sites easily, accurately, and at the right price.

### ACCURACY

± 0.5° F at Room Temp.  
± 2.5° F over Temp. Range

### OPTIONS

Voltage Power Inputs:  
(C) 48 Vdc (D) 24 Vdc  
Output Range/Option A:  
-10 V at 120° F  
+10 V at -60° F  
Output Impedance:  
10 kohms  
Contact us for other options

### ENVIRONMENTAL DATA

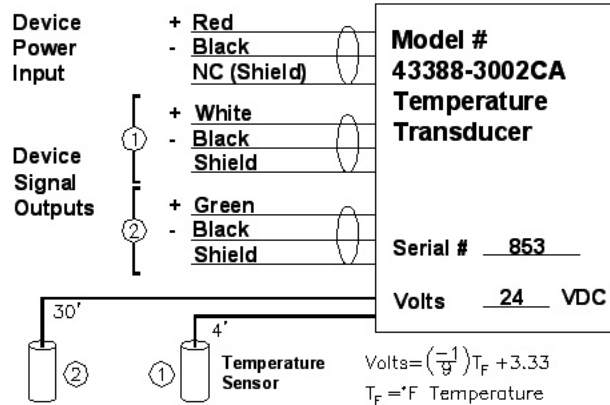
Operational Temp:  
-60° to 120° F per options  
Storage Temp:  
-60° to 190° F per options  
Humidity:  
Suitable for Outdoor Use

### MECHANICAL DATA

Dimensions:  
2" H x 3" W x 1" D  
Sensing Device Lead:  
Single: 4 ft  
Dual: #1 - 4 ft #2 - 30 ft  
Weight:  
Single: 0.5 lbs  
Dual: 0.75 lbs

### FEATURES

- Single and Dual Versions
- Provides a Wide Temperature Measurement Range:  
-60 to +120 Degrees F
- Interfaces Easily with Tetragenics' remote units and control systems
- Convenient Small Size: 2" H x 3" W x 1" D



Recommended Wiring  
(Dual Configuration)

This diagram shows the recommended wiring for the Temperature Transducer for the dual version. A single version is also available.

